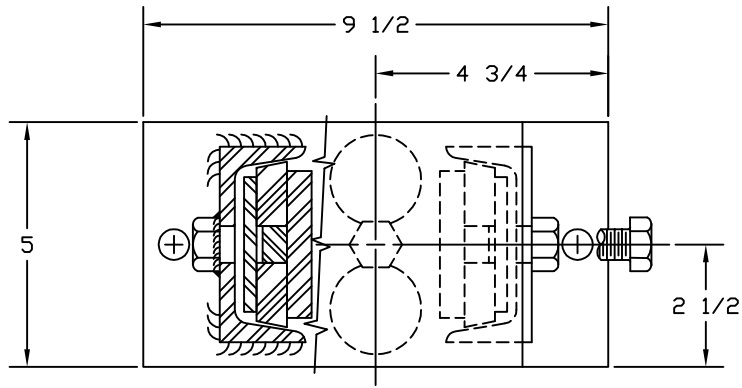
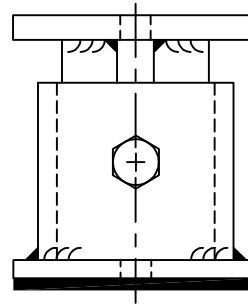
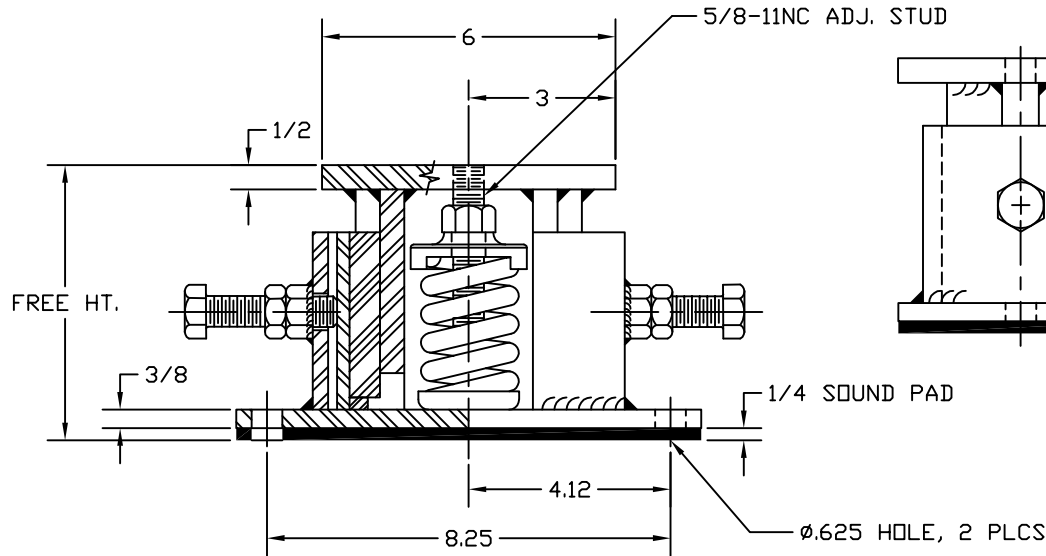


123R-103924 REV: 1

REV.	DESCRIPTION	DATE	BY



PART NUMBER	ISOLATOR MODEL	MAX. STEADY (LBS)	MAX. IMPACT (LBS)	ISOLATOR CONSTANT (LBS)	MIN. FREE HEIGHT	COLOR CODE
605735-50	SIDY-50	100	△	50	6 7/8	YELLOW
605735-51	SIDY-51	250	△	125		ORANGE
605735-52	SIDY-52	400	△	240		BROWN
605735-53	SIDY-53	600	△	380		BLACK
605735-54	SIDY-54	1000	△	690		GREEN
605735-55	SIDY-55	1400	△	1120		BLUE
605735-56	SIDY-56	2400	△	3300	5 1/2	PURPLE
605735-45	SIDY-45	650	520	880		BROWN
605735-46	SIDY-46	900	720	1600		RED
605735-47	SIDY-47	1200	960	2450		PURPLE
605735-57	SIDY-57	2200	1650	4260	5 7/8	BLUE
605735-68	SIDY-68	2600	2450	5300		GREEN



NOTES:

- ALL DIMENSIONS ARE IN INCHES, INTERPRET PER ANSI Y14
- STANDARD FINISH: CONTACT VMC FOR ADDITIONAL AVAILABILITY
  - A. STEEL WELDMENTS: STANDARD VMC COLOR
  - B. SPRING: POWDER COATED
  - C. HARDWARE: ELECTRO-ZINC PLATED
- MINIMUM OPERATING HEIGHT IS 5 1/8" OR FREE HEIGHT MINUS SPRING DEFLECTION, WHICHEVER IS GREATER.
- EST. UNIT WT: 30 LBS
- △ ENGINEER REVIEW

OTHER MATERIALS, COMPOUNDS, OR FINISHES WITH EQUAL OR SUPERIOR PROPERTIES MAY BE SUBSTITUTED AS THEY BECOME AVAILABLE.

**CERTIFIED FOR:**

JOB NAME: \_\_\_\_\_  
 CUSTOMER : \_\_\_\_\_  
 CUSTOMER P.O.: \_\_\_\_\_  
 SALES ORDER: \_\_\_\_\_

**MODEL SIDY 100-2600 LBS.  
 SPRING ISOLATOR WITH  
 ADJUSTABLE SNUBBER**



**THE VMC GROUP**  
*The Power of Together*  
 Bloomingdale, NJ 07403  
 Houston, TX 77041

SCALE :

NONE

SHEET:



DRAWING NO.:

REVISION